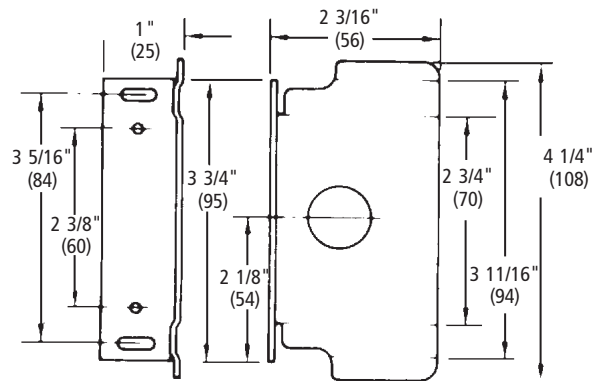
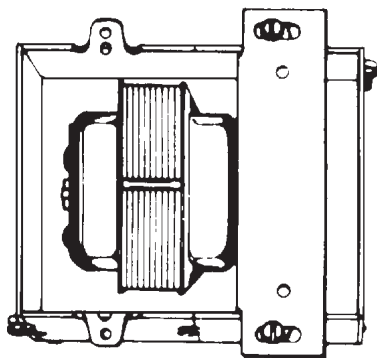




Transformer Mounting Plate

593

The Edwards 593 Transformer Mounting Plate allows any 590 Series Transformer to be mounted, completely enclosed, in a two gang electrical box, minimum 2 1/4" (57mm) deep.



NOTE: Dimensions are in inches and (millimeters).